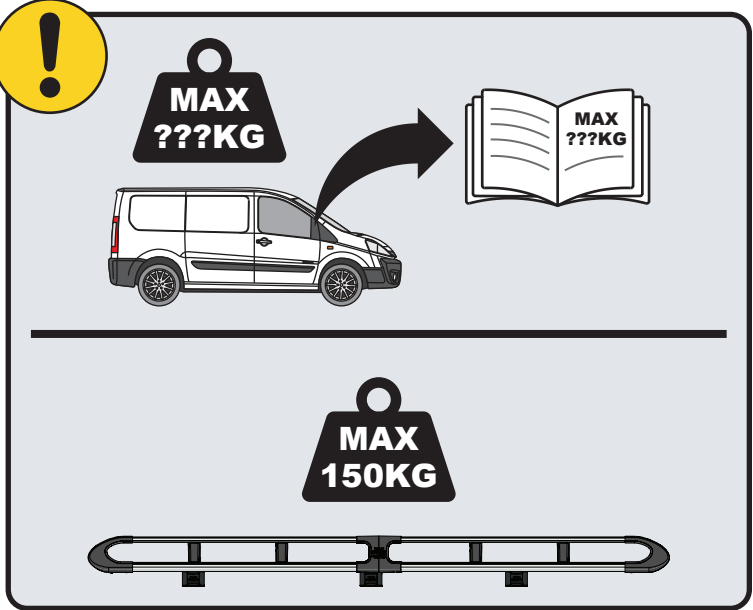
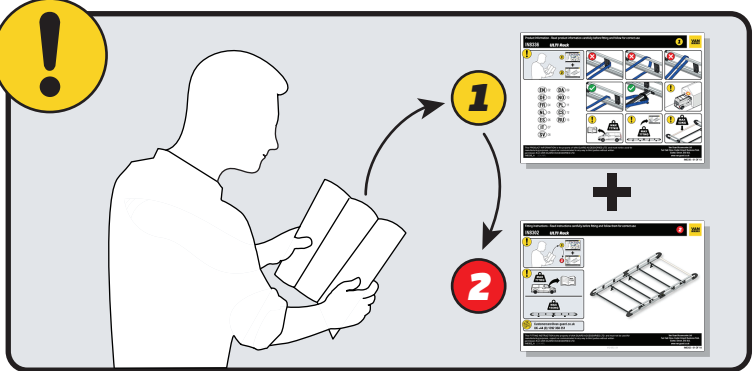
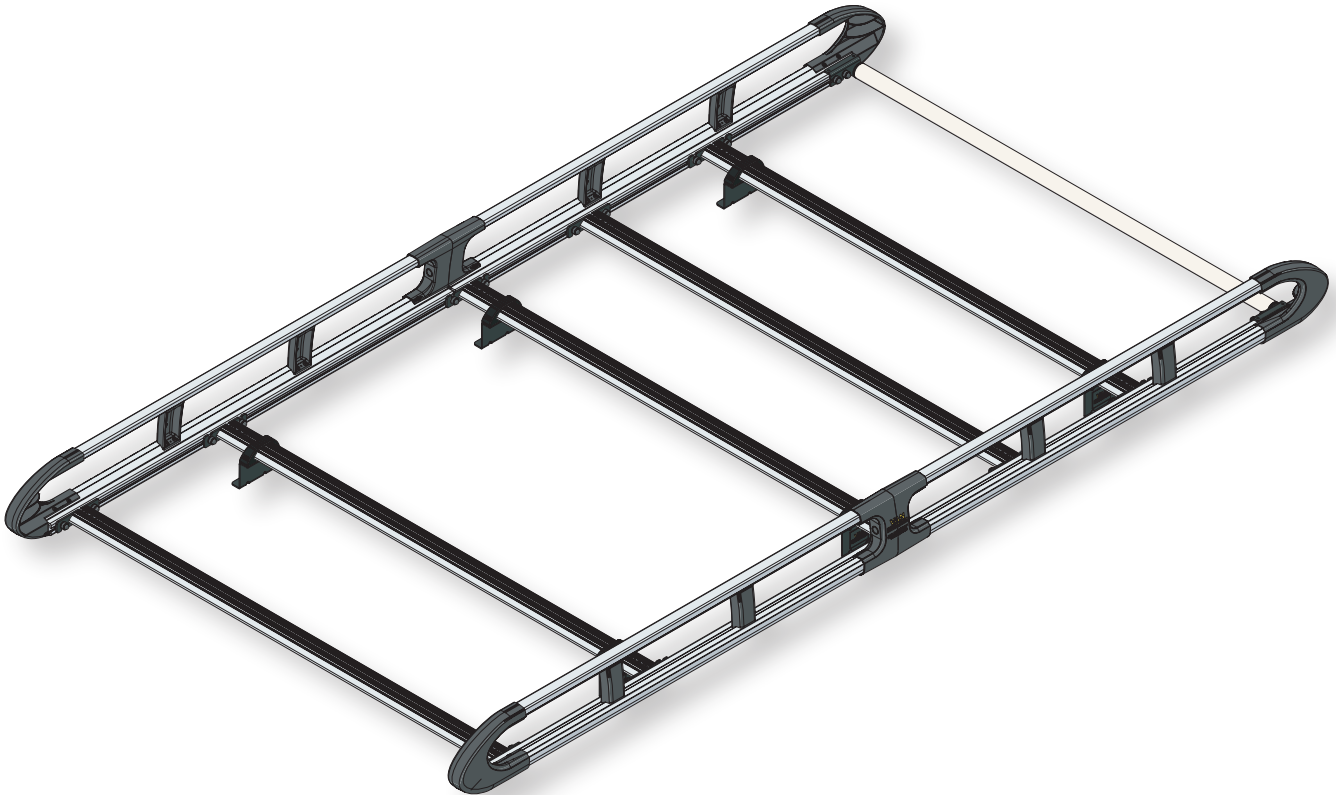


# IN8291

## ULTI Rack



 [Customercare@van-guard.co.uk](mailto:Customercare@van-guard.co.uk)  
UK +44 (0) 1392 368 351



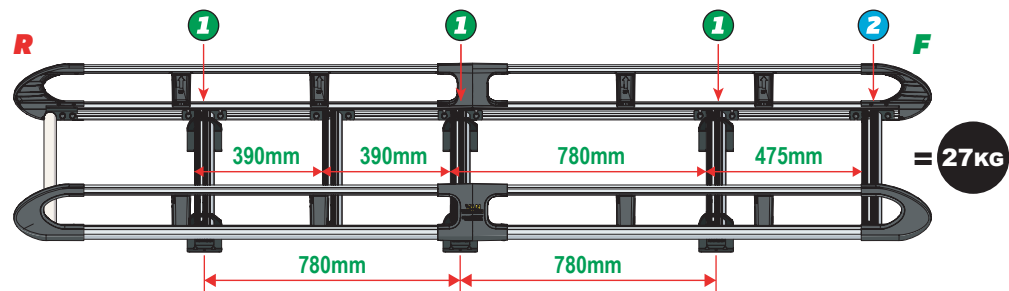
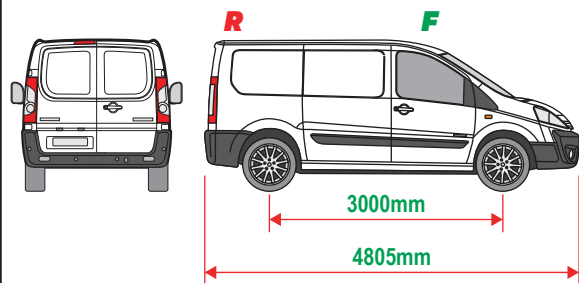
This FITTING INSTRUCTION is the property of VAN GUARD ACCESSORIES LTD. and must not be used for manufacturing purposes, copied nor communicated in any way to third parties without written permission from VAN GUARD ACCESSORIES LTD.  
IN8291\_B (CN:00356)

Van Guard Accessories Ltd  
Fair Oak Close, Exeter Airport Business Park,  
Exeter, Devon, EX5 2UL  
[www.van-guard.co.uk](http://www.van-guard.co.uk)

**THIS INSTRUCTION COVERS THE FOLLOWING MODELS - CHECK YOU ARE FITTING THE CORRECT MODEL BEFORE PROCEEDING**

**VGUR-220**

Citroen Dispatch: 2007-2016  
Fiat Scudo: 2007-2016  
Peugeot Expert: 2007-2016  
Toyota Pro-Ace: 2013 on  
**L1H1 (SWB)**  
**Twin Rear Doors**



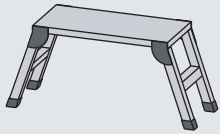
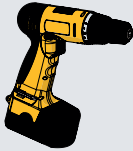
**SUPPLIED COMPONENTS - CHECK ALL PARTS ARE PRESENT AND CORRECT BEFORE PROCEEDING (1 OF 2)**

**TOOLS REQUIRED**

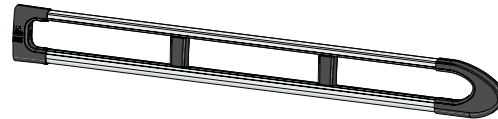
**10MM X1**



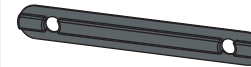
**13MM X1**



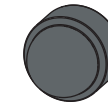
**AS3537 X2**  
(2600 / A)



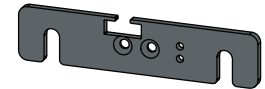
**MA6118 X10**



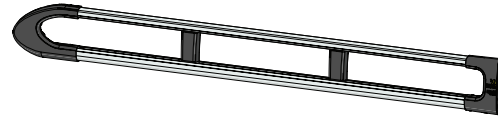
**FX4241 X24**



**ME1622 X2**



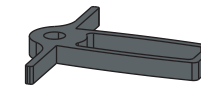
**AS3536 X2**  
(2600 / B)



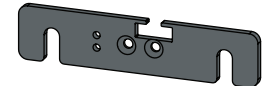
**FX4008 X1**



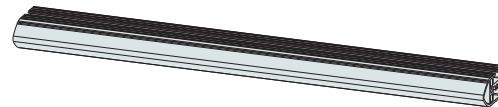
**MA6145 X1**



**ME1623 X2**



**ME1627 X5**  
(1354mm)



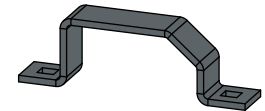
**FX4001 X2**  
(M8X40)



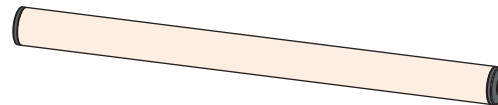
**FX4235 X24**  
(M5X25)



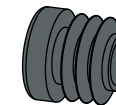
**ME0203 X6**



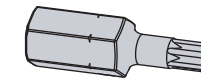
**AS3159 X1**  
(1340mm)



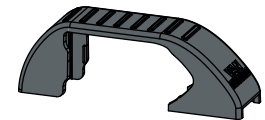
**MA6007 X4**



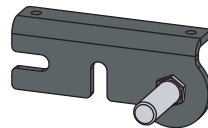
**FX4248 X1**  
(T25)



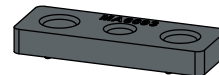
**MA6065 X6**



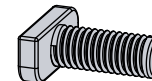
**AS3590 X1**



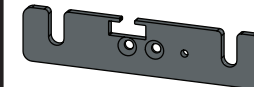
**MA6093 X10**



**FX4239 X24**  
(M8X20)



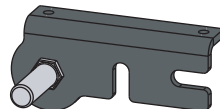
**ME1620 X3**



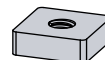
**FX4016 X12**  
(M6)



**AS3591 X1**



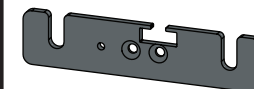
**ME0316 X10**



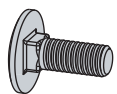
**FX4240 X24**  
(M8)



**ME1621 X3**

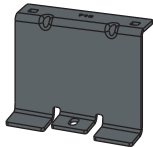


**FX4042 X12**  
(M6X16)



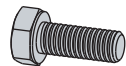
SUPPLIED COMPONENTS - CHECK ALL PARTS ARE PRESENT AND CORRECT BEFORE PROCEEDING (2 OF 2)

**ME0718 X1**

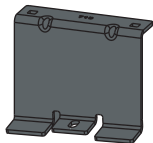


**FX4012 X6**

(M6X16)



**ME0719 X1**

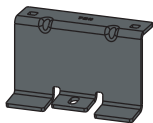


**FX4017 X6**

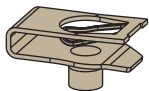
(M6)



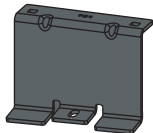
**ME0720 X2**



**FX4126 X6**



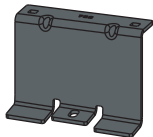
**ME0721 X1**



**MA6016 X12**



**ME0722 X1**



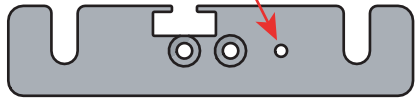
**FX4010 X6**

(M6)



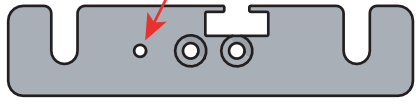
01

1L



X3

1R



X3

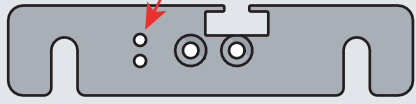


2L



X2

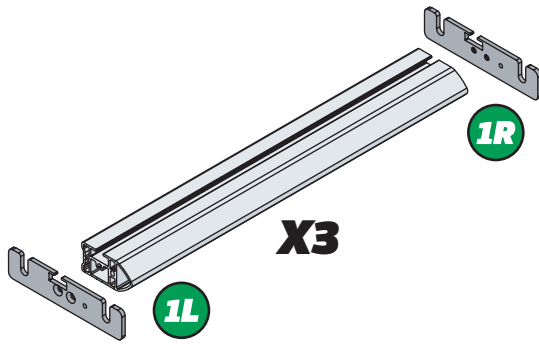
2R



X2

02

1R

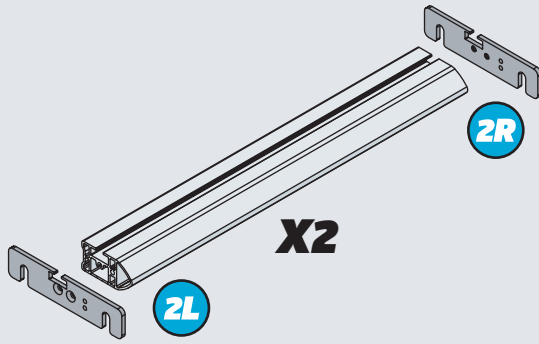


X3

1L



2R



X2

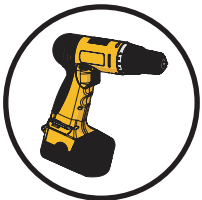
2L



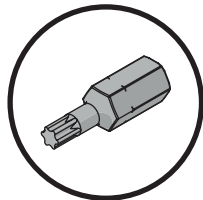
03

01

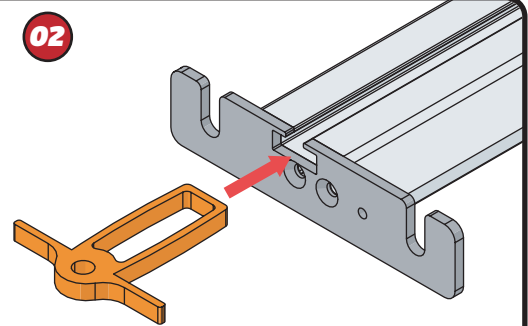
FX4248



+



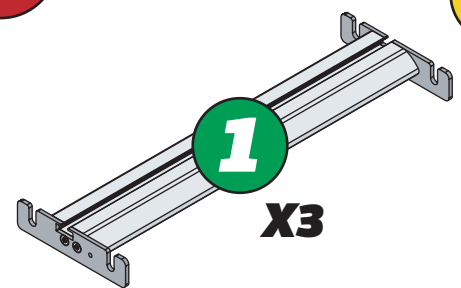
02



04

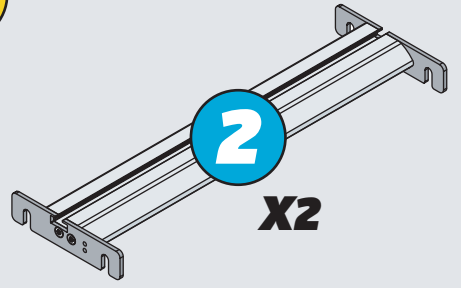
1

X3



2

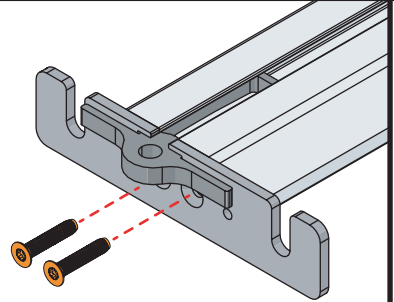
X2



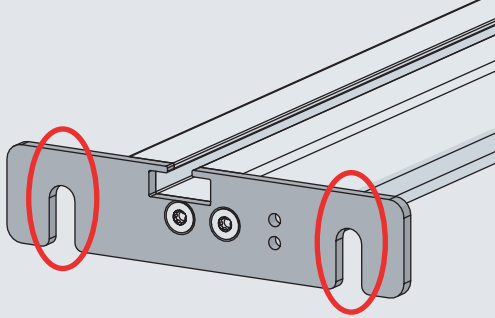
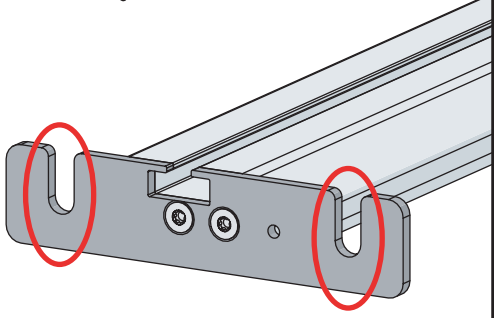
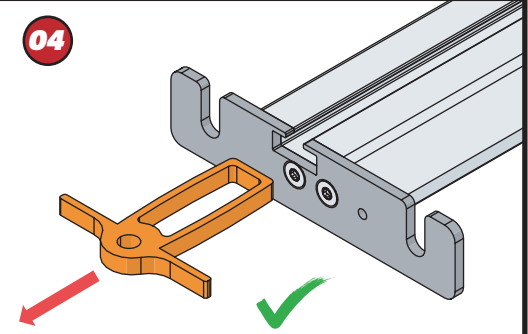
03

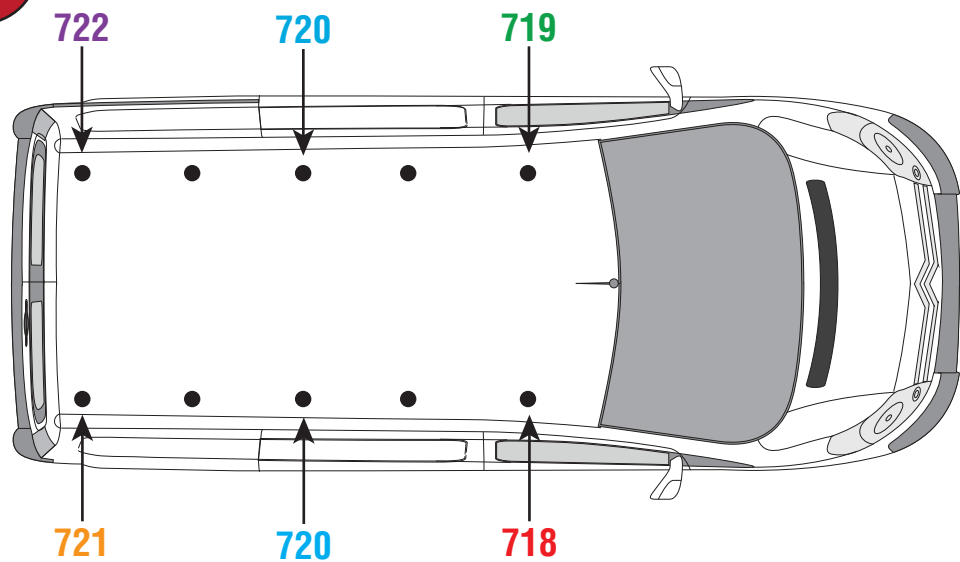
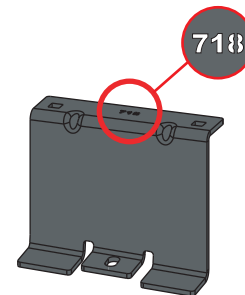
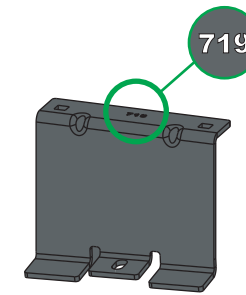
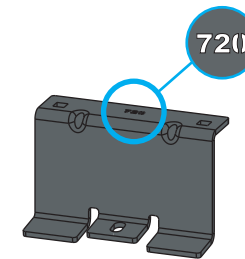
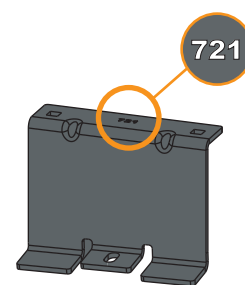
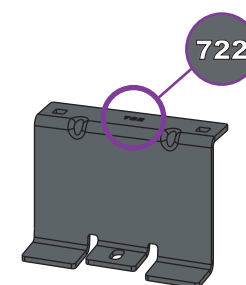
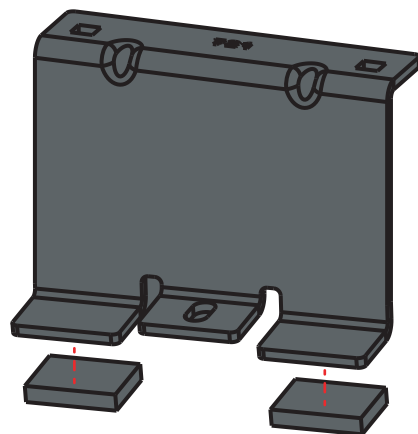
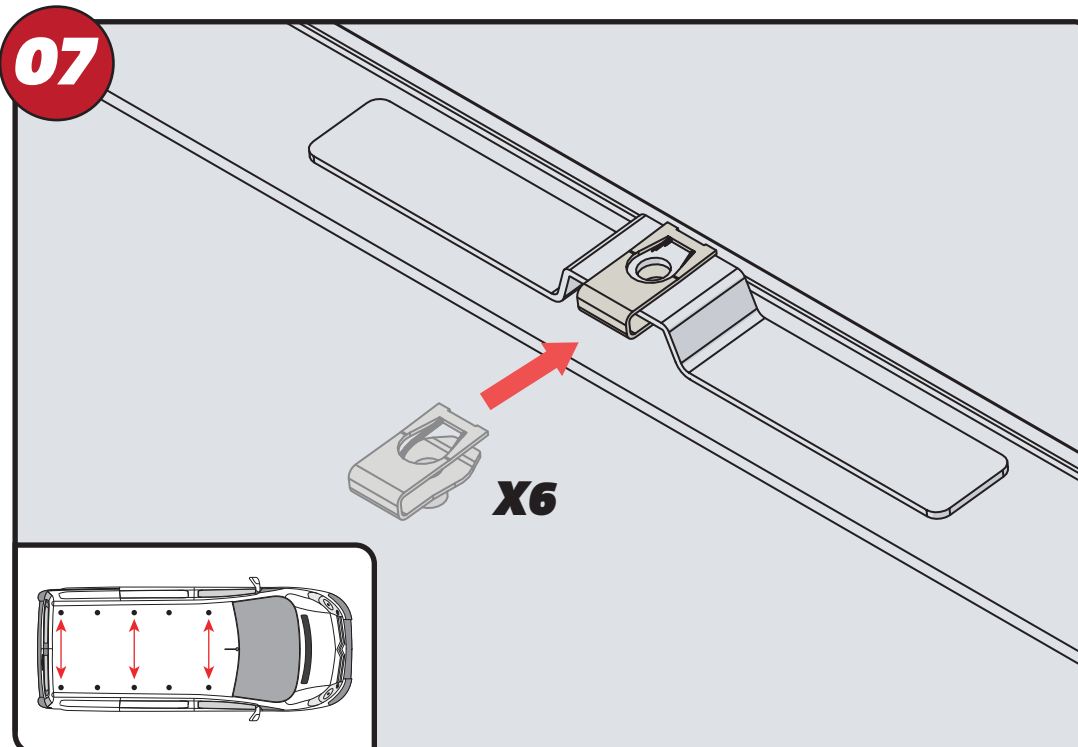


11Nm



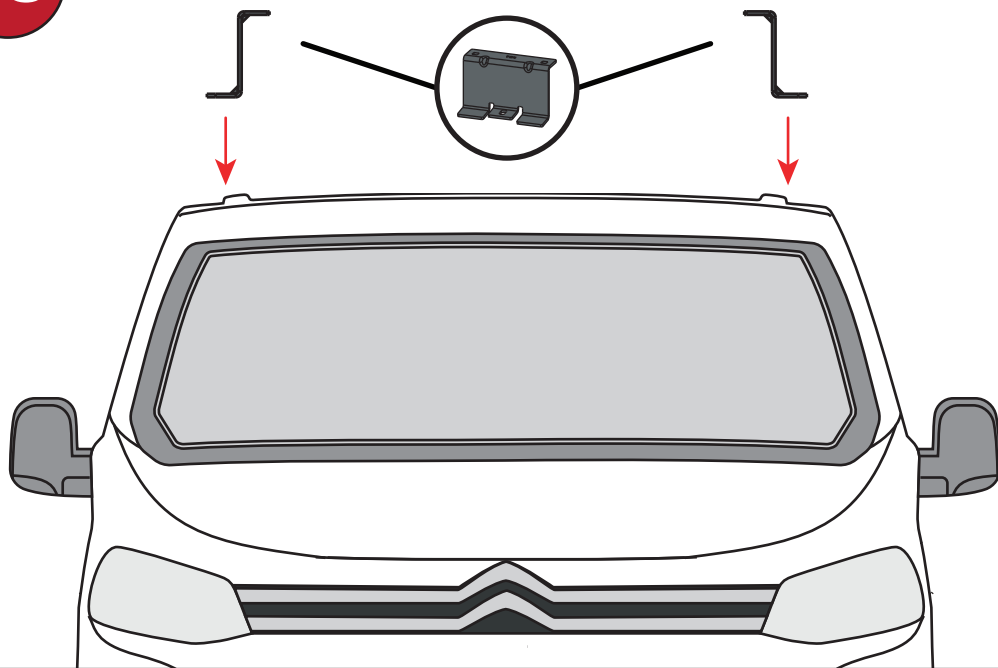
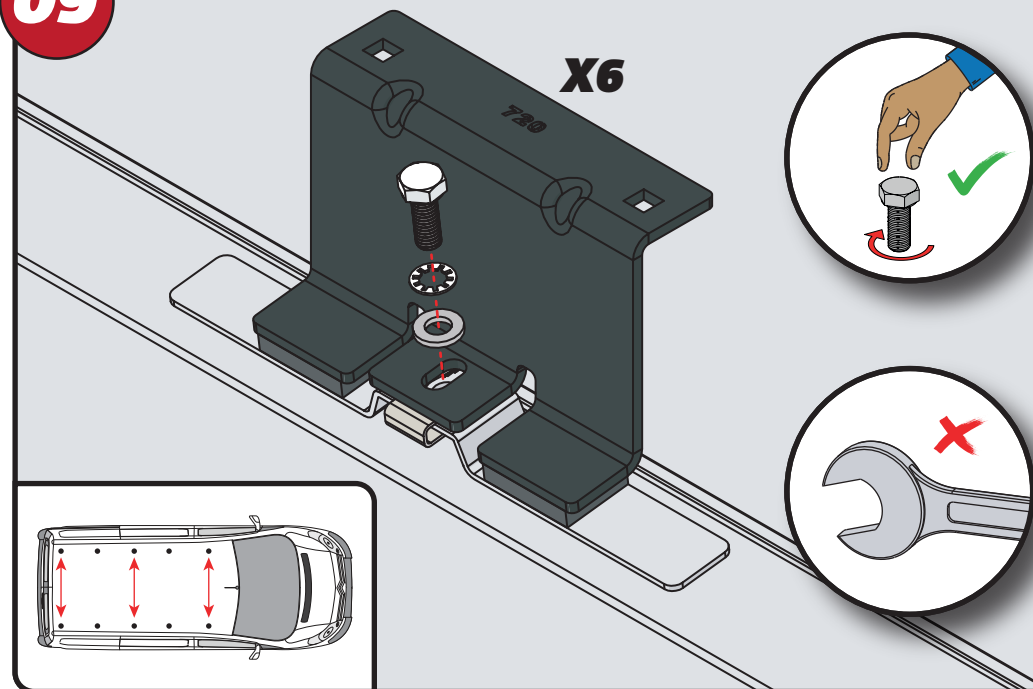
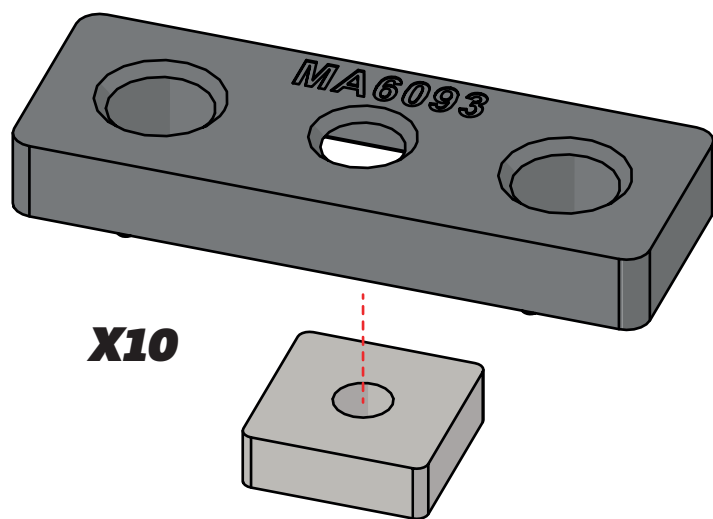
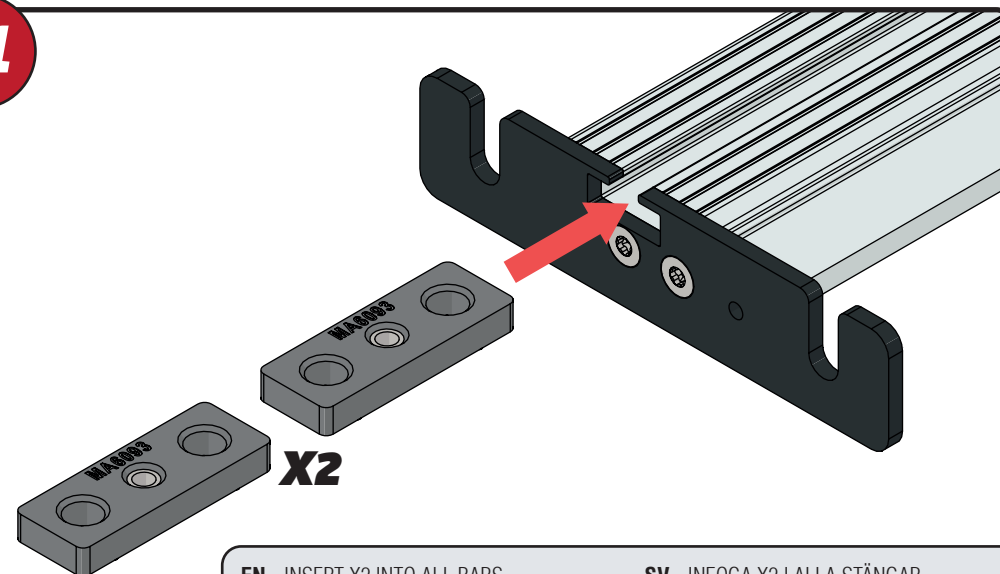
04



**05****718****719****720****721****722****06****07**

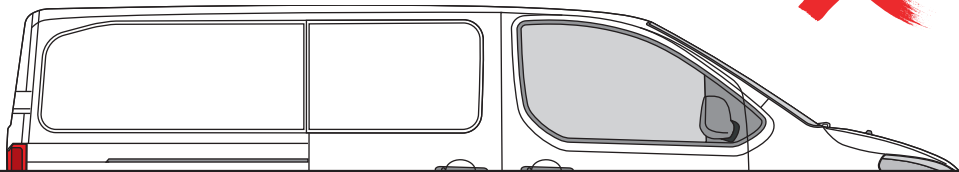
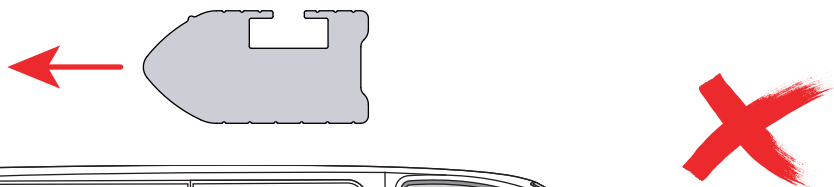
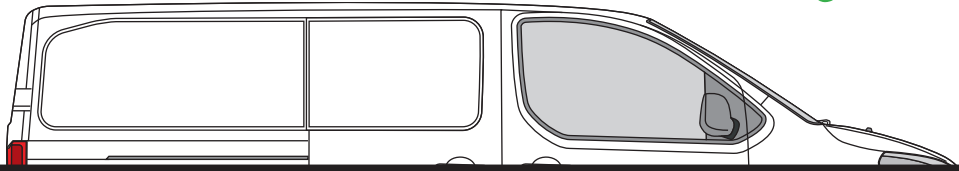
EN - STICK GASKETS TO ALL BRACKETS  
 DE - KLEBEN SIE DIE DICHTUNG AN ALLEN HALTERUNGEN  
 FR - COUSSINETS ADHÉSIFS À TOUS LES SUPPORTS  
 NL - PLAK PAKKING OP ALLE BEUGELS  
 ES - PEGA LAS ALMOHADILLAS A TODOS LOS SOPORTES  
 IT - ADESIVI GUARNIZIONI A TUTTE LE STAFFE

SV - FÄST GUMMI PÅ ALLA FÄSTEN  
 DA - KLÆB GUMMI PÅ ALLE BESLAG  
 NO - PLIST GUMMI PÅ ALLE BRACKETTER  
 PL - NAKLEJ USZCZELKI DO WSZYSTKICH WSPORNIKÓW  
 CS - PŘILEPTE TĚSNĚNÍ NA VŠECHNY DRŽÁKY

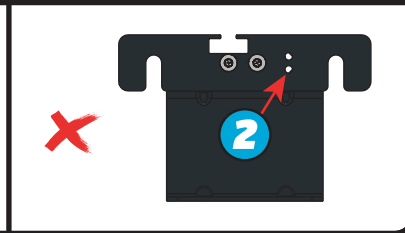
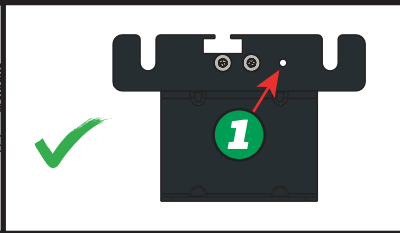
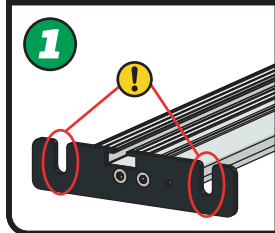
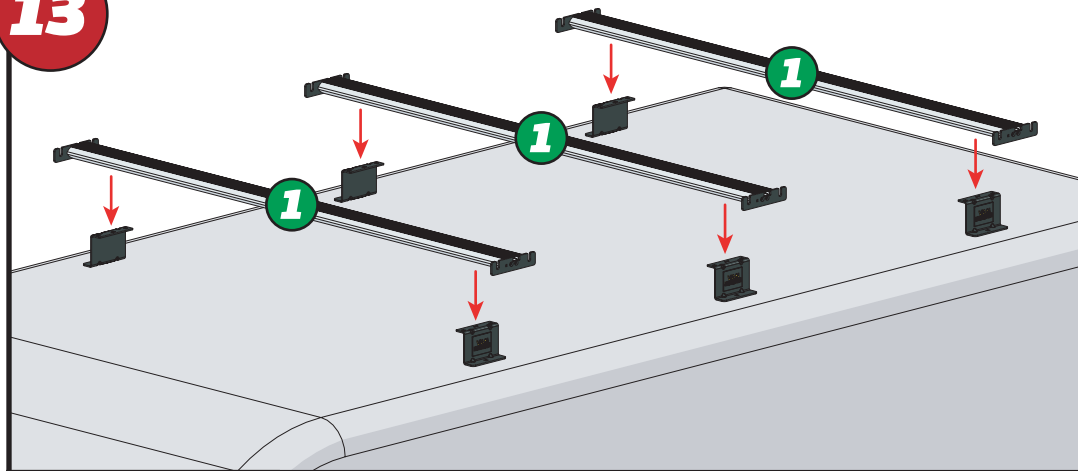
**08****09****10****X10****11****X2**

**EN** - INSERT X2 INTO ALL BARS  
**DE** - X2 IN ALLE STANGEN EINFÜGEN  
**FR** - INSÉRER X2 DANS TOUTES LES BARRES  
**NL** - PLAATS X2 IN ALLE BARS  
**ES** - INSERTAR X2 EN TODAS LAS BARRAS  
**IT** - INSERIRE X2 IN TUTTE LE BARRE  
**SV** - INFOGA X2 I ALLA STÄNGAR  
**DA** - INDSÆT X2 I ALLE STÆNGER  
**NO** - SETT X2 INN I ALLE TAKSTENGER  
**PL** - WSTAW X2 DO WSZYSTKICH PRĘTÓW  
**CS** - VLOŽTE X2 DO VŠECH TYČÍ

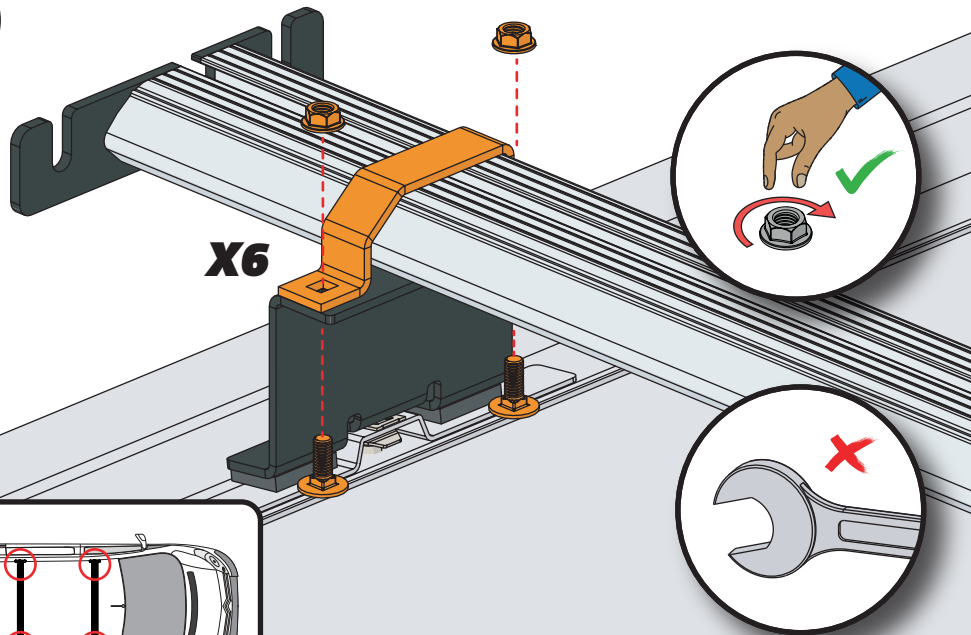
12



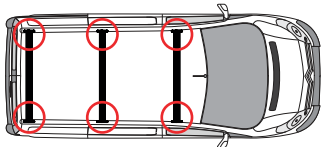
13



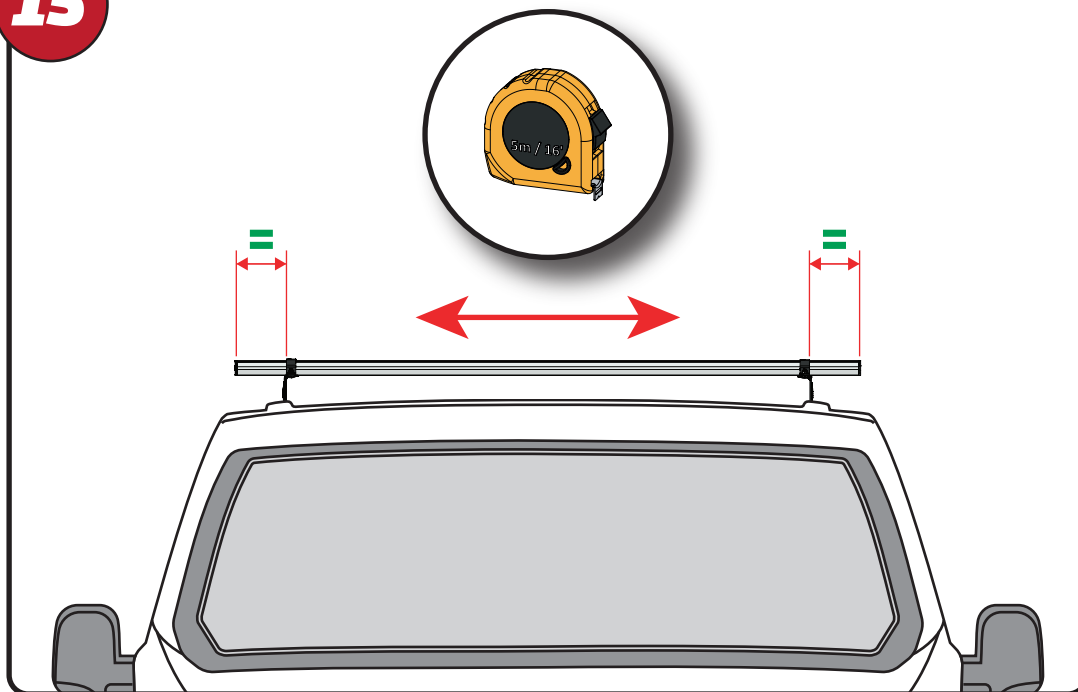
14



X6



15

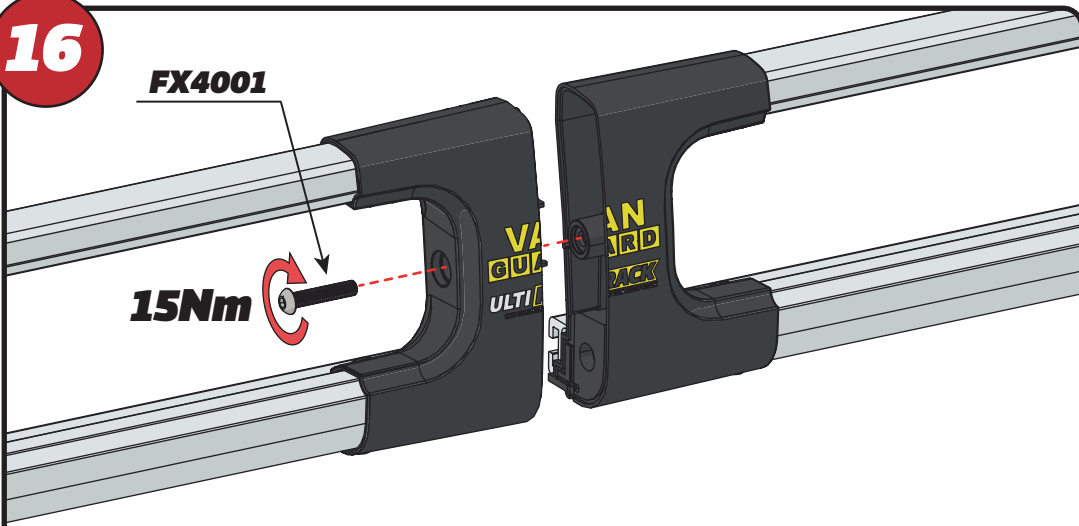




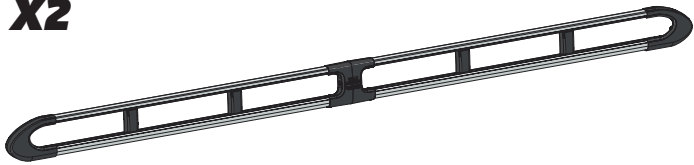
16

FX4001

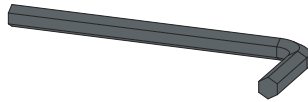
15Nm



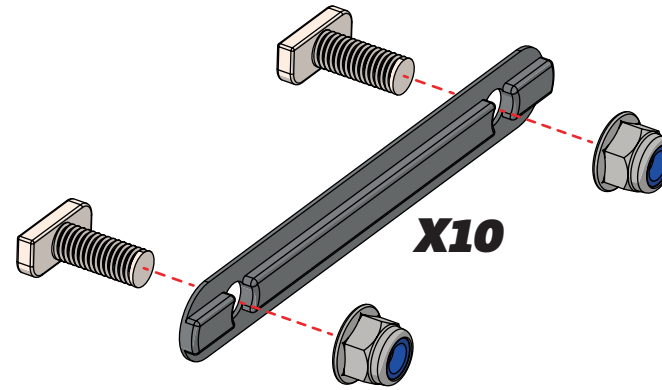
X2



FX4008

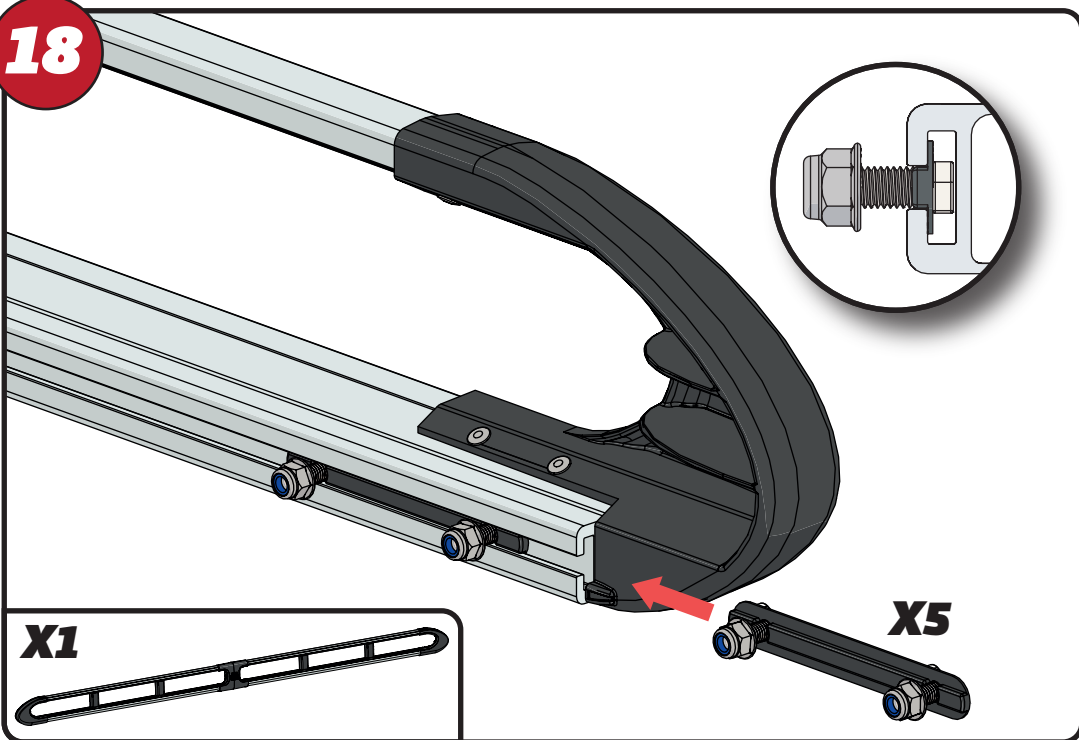


17

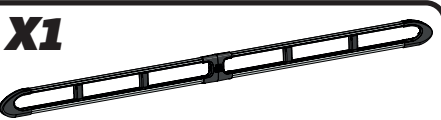


X10

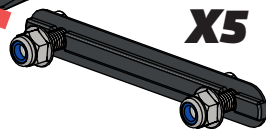
18



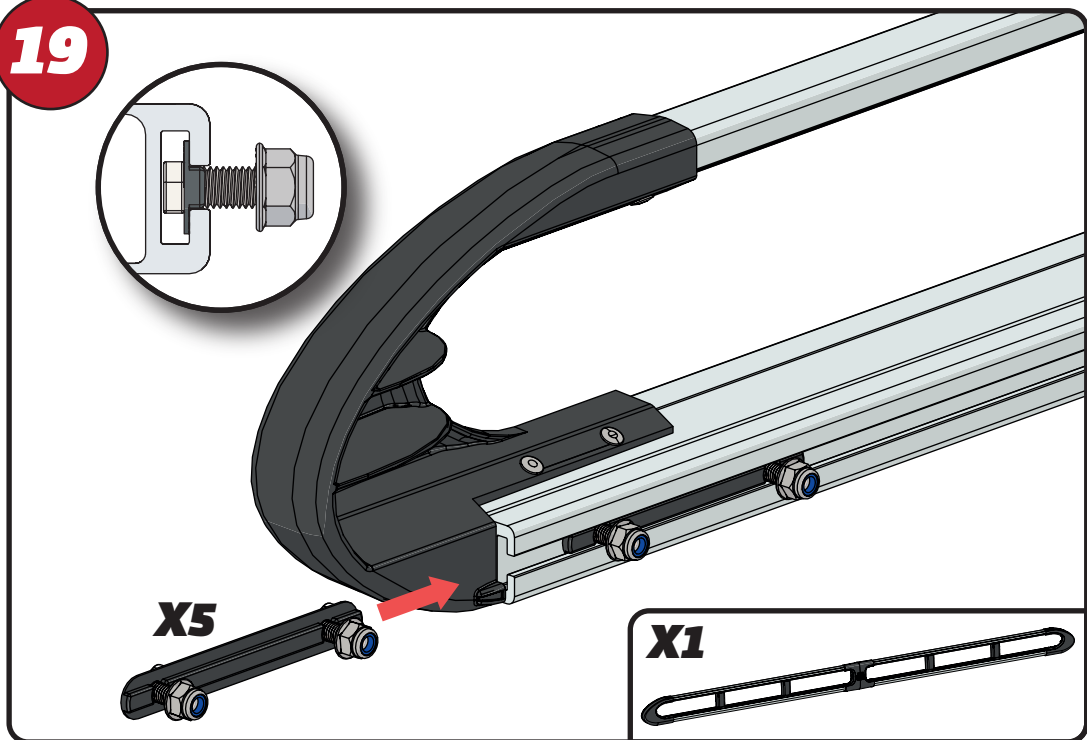
X1



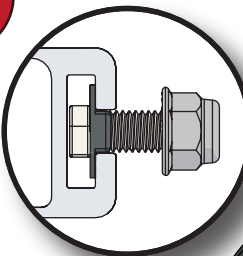
X5



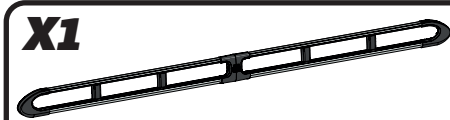
19



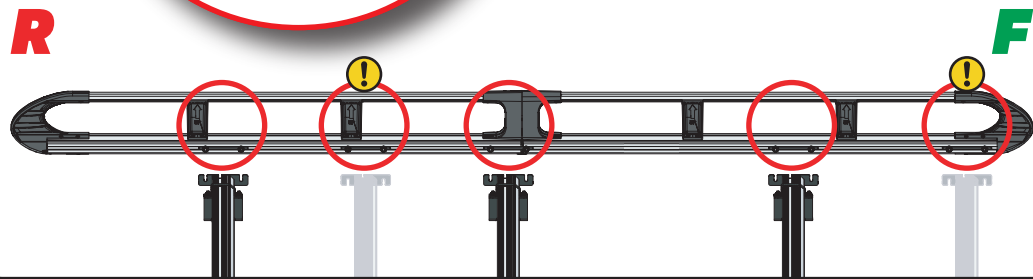
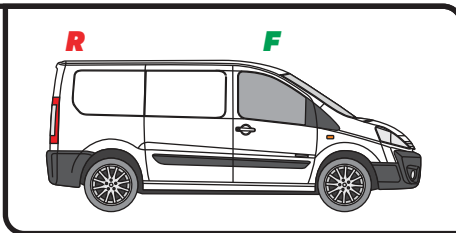
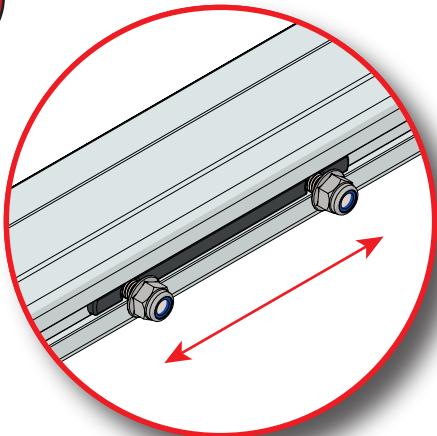
X5



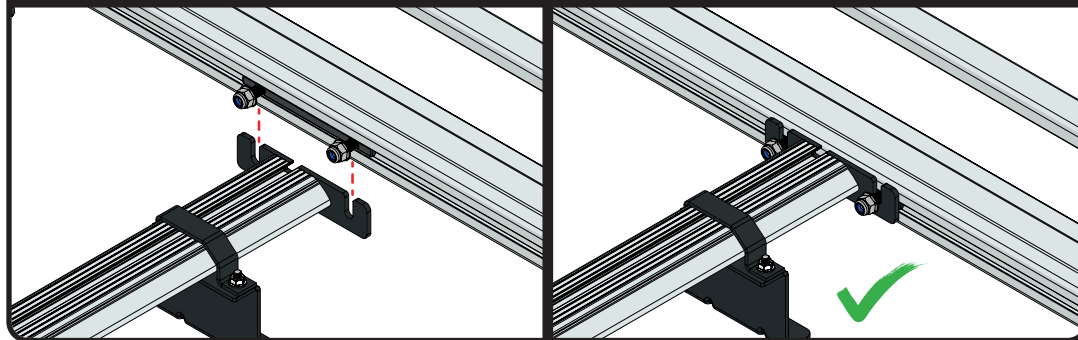
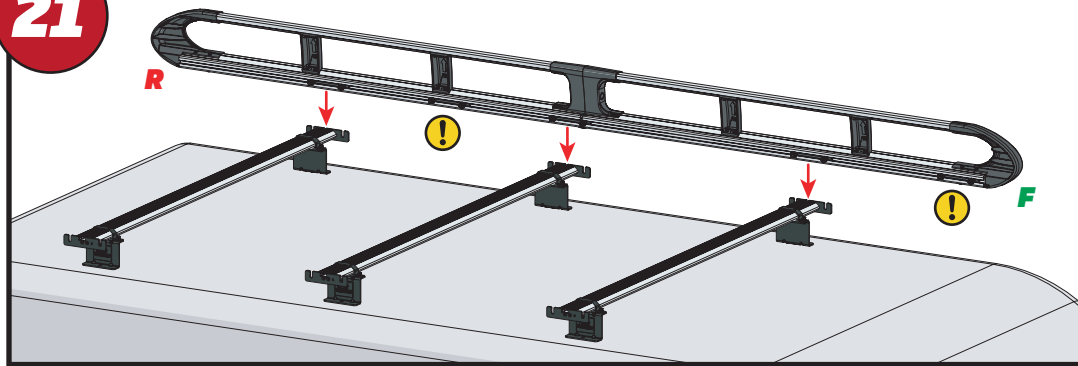
X1



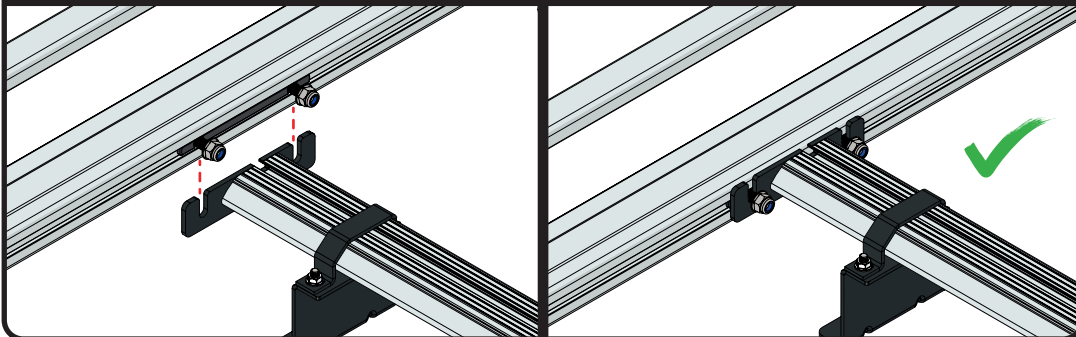
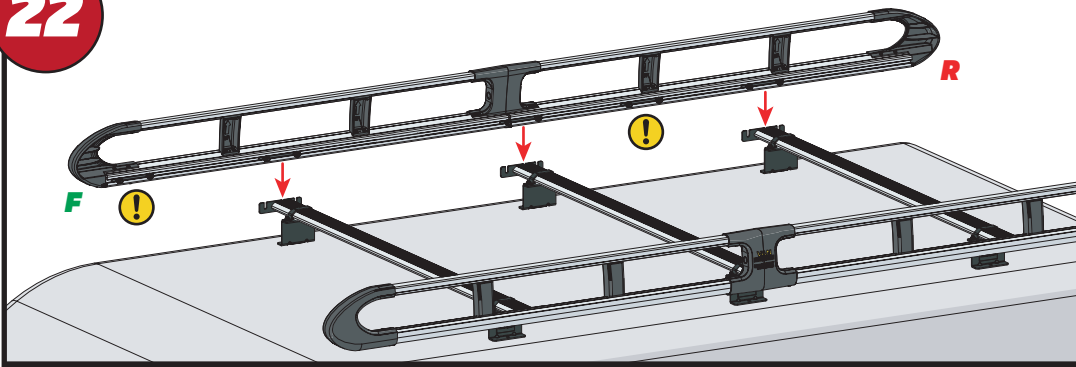
20



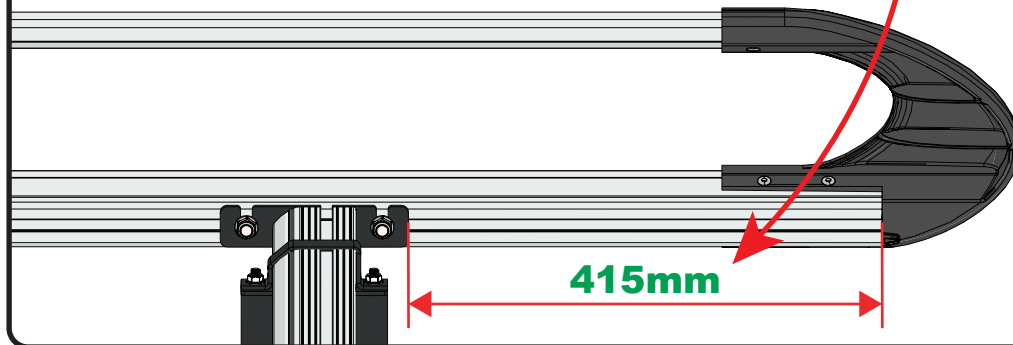
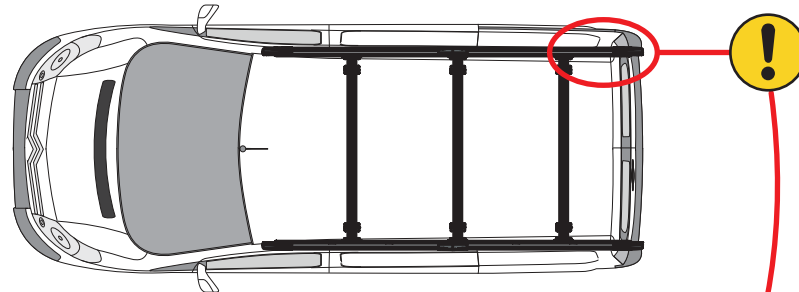
21

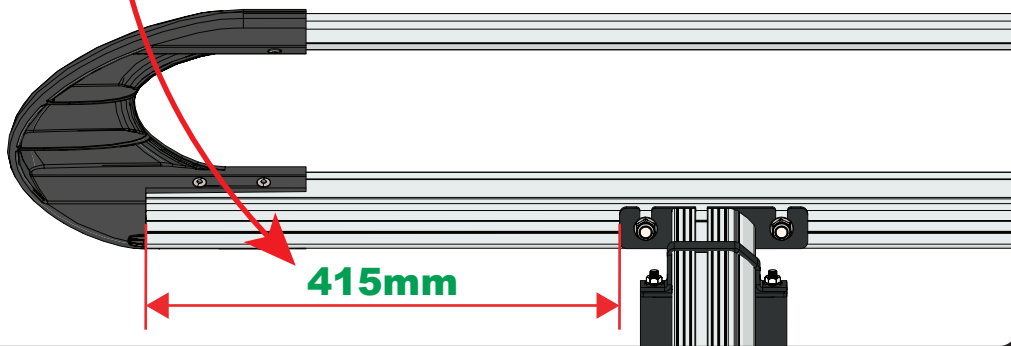
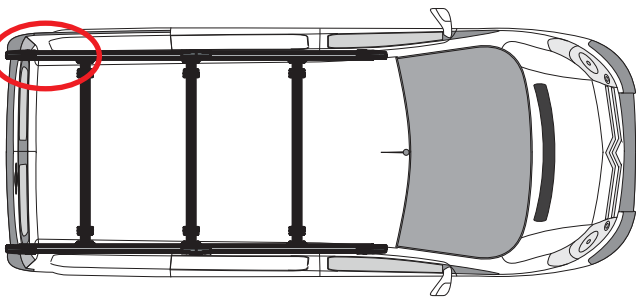
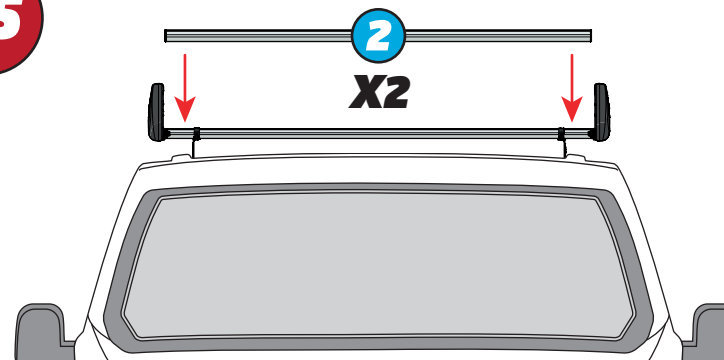
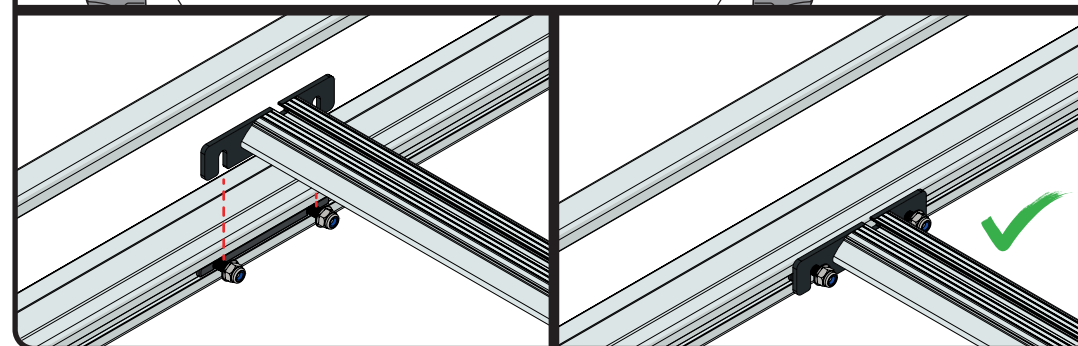
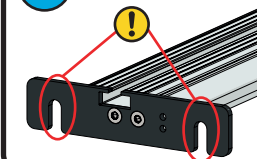
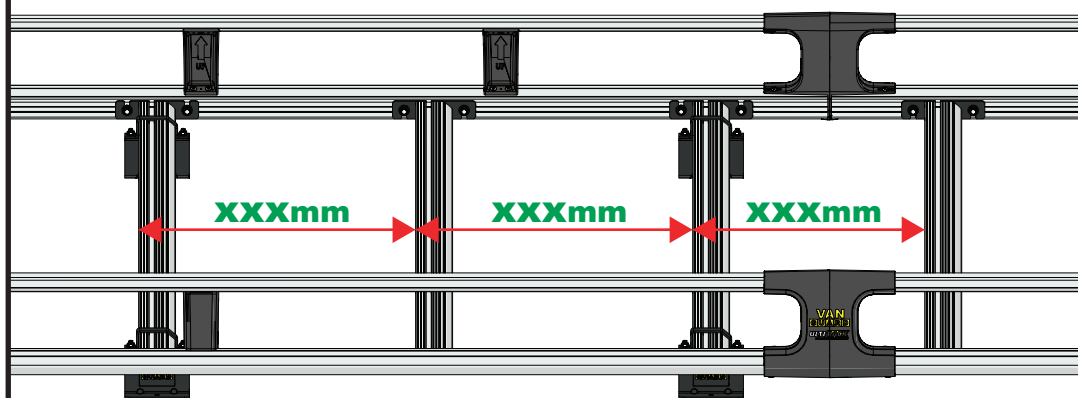
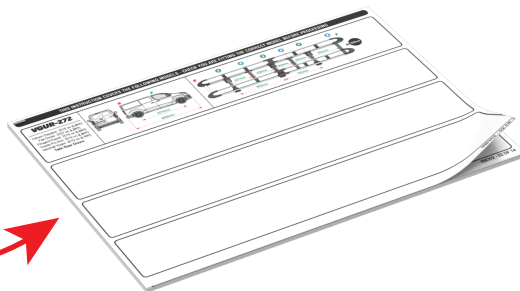
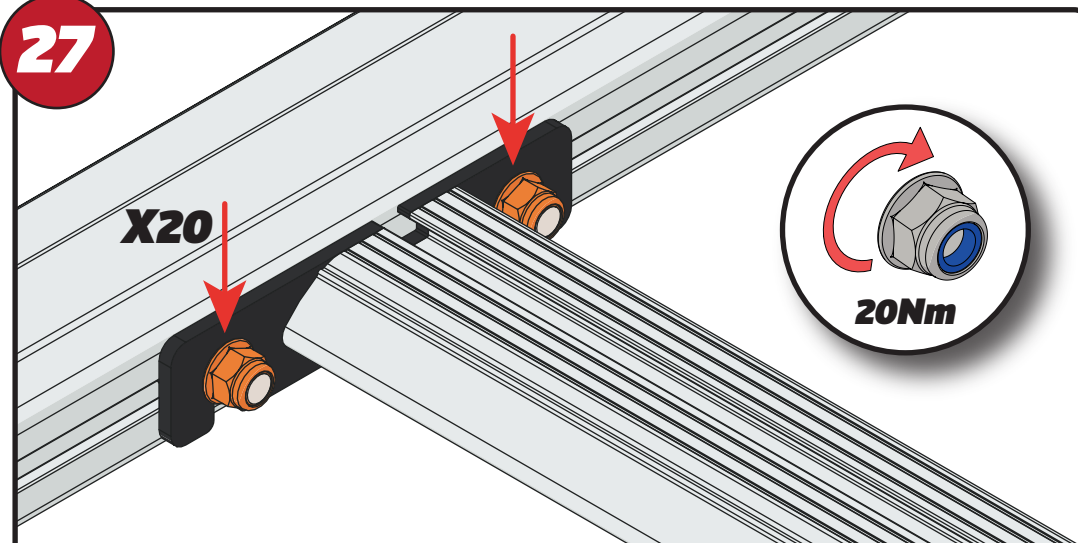


22



23

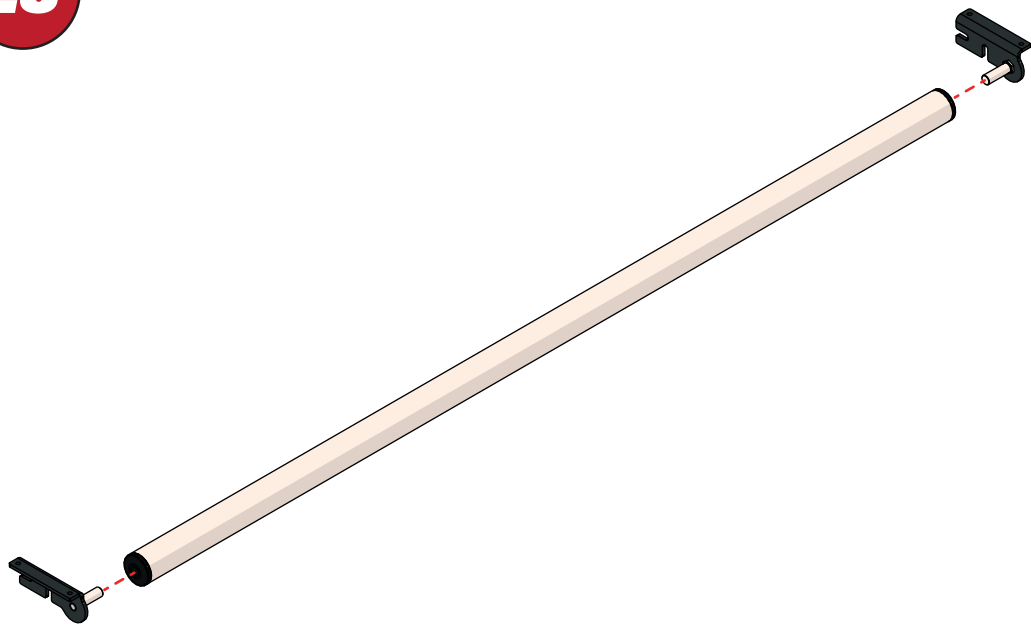


**24****415mm****25****2****X2****2****26****XXX =  
PAGE 2 OF 14****XXXmm****XXXmm****XXXmm****27****X20****20Nm**

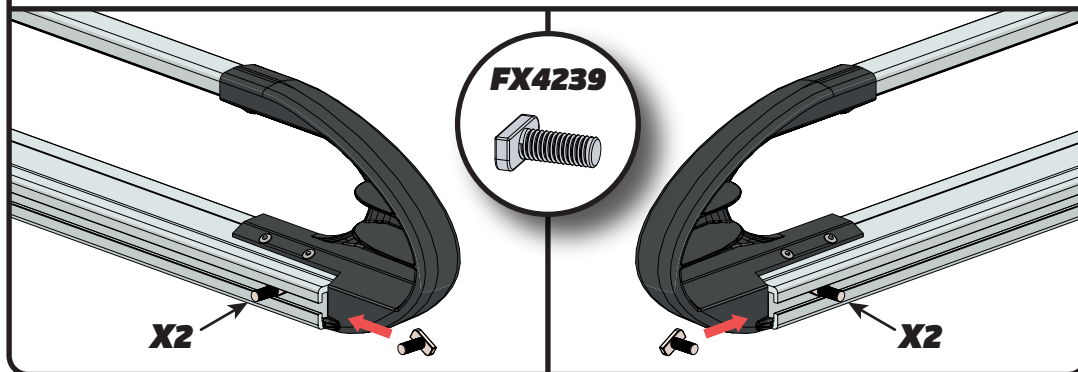
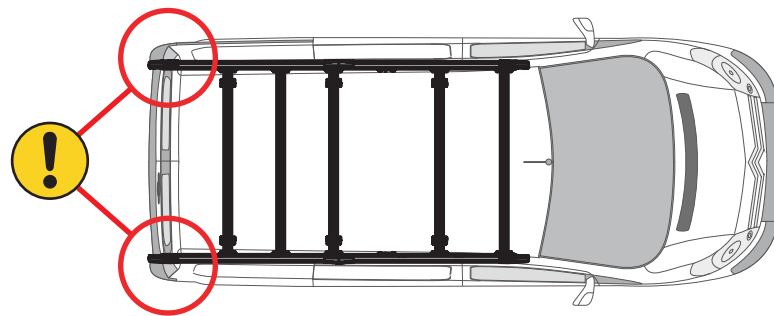
EN - TIGHTEN ALL OF THE CROSS BARS  
 DE - ALLE QUERSTANGEN FESTZIEHEN  
 FR - SERREZ TOUTES LES BARRES TRANSVERSALES  
 NL - DRAAI ALLE DWARSBALK VAN HET DAK AAN  
 ES - APRIETE TODAS LAS BARRAS TRANSVERSALES  
 IT - STRINGERE TUTTE LE BARRE TRASVERSALI

SV - SKRU UPP ALLA KORSSTANGAR  
 DA - SKRU ALLE TAGBØJLER OP  
 NO - SKRU OPP ALLE TVERRSTENGER  
 PL - DOKRĘCIĆ WSZYSTKIE POPRZECZKI  
 CS - VŠECHNY PŘÍČNÉ TYČE SEŠROUJTE

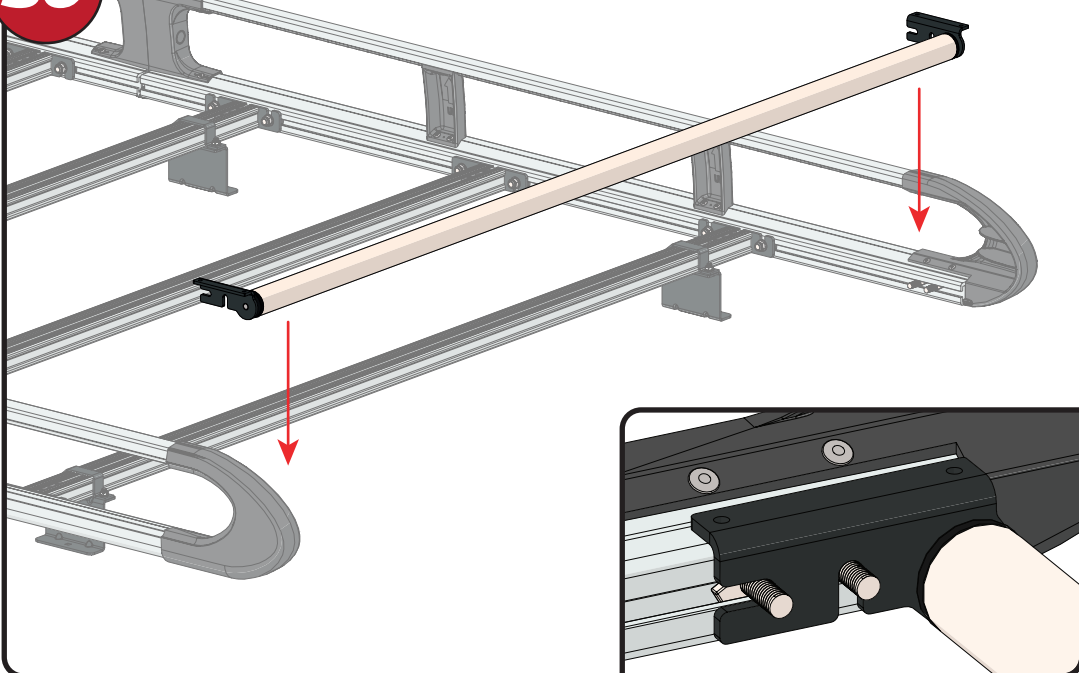
28



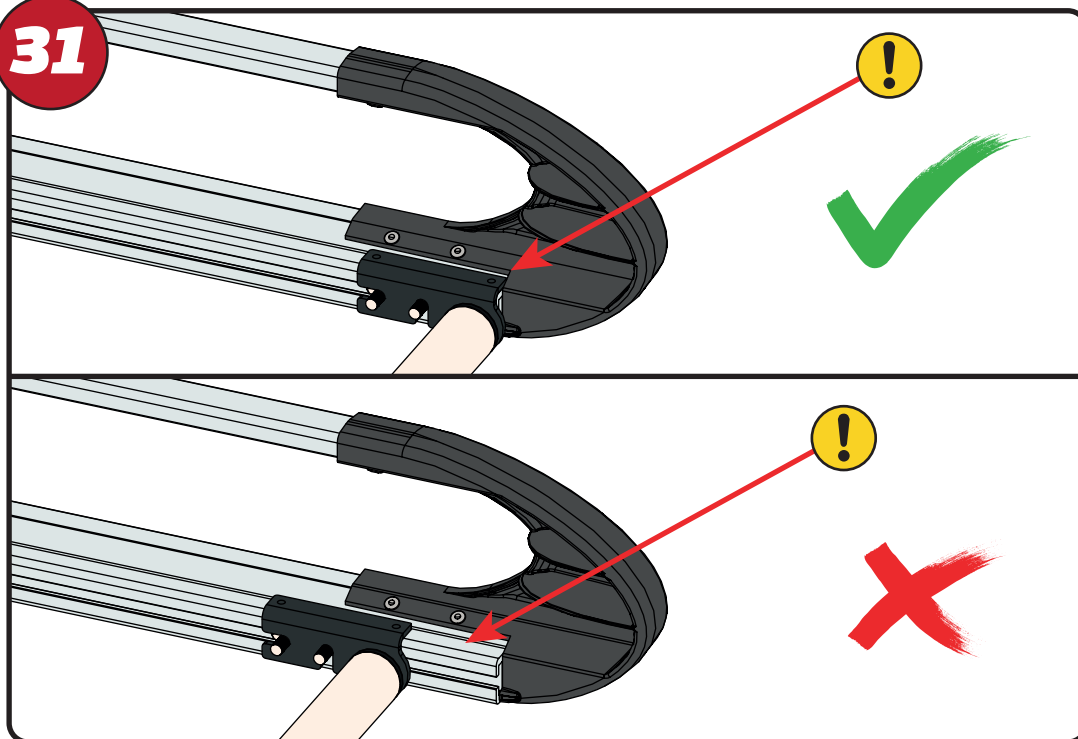
29



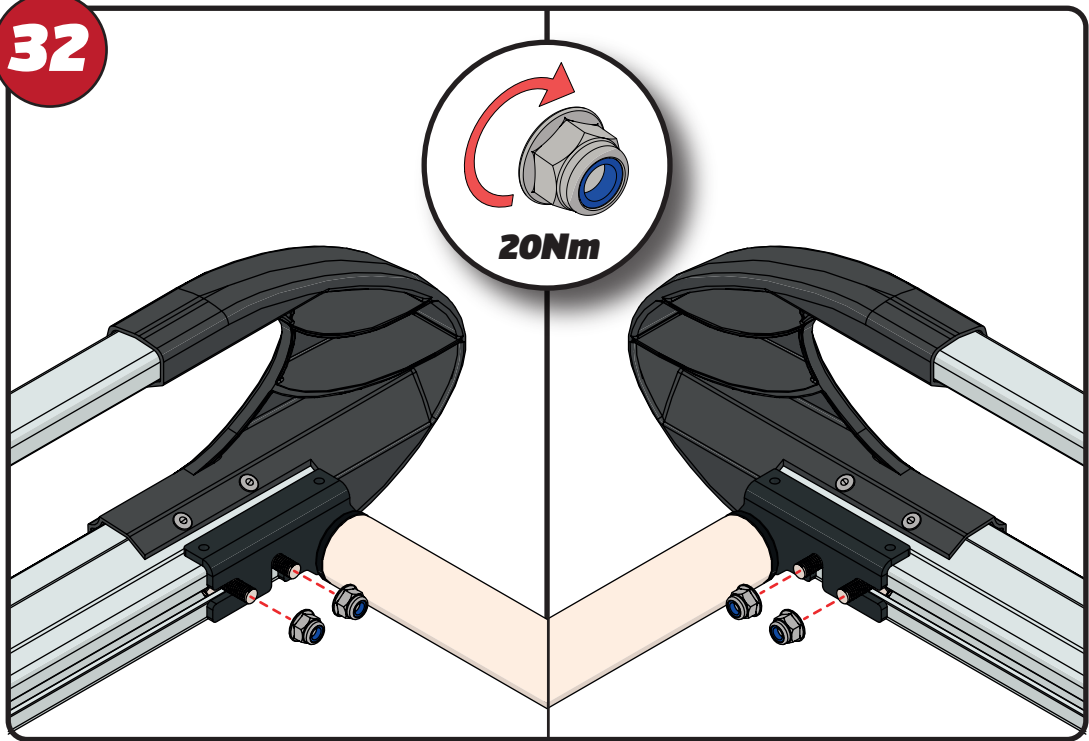
30



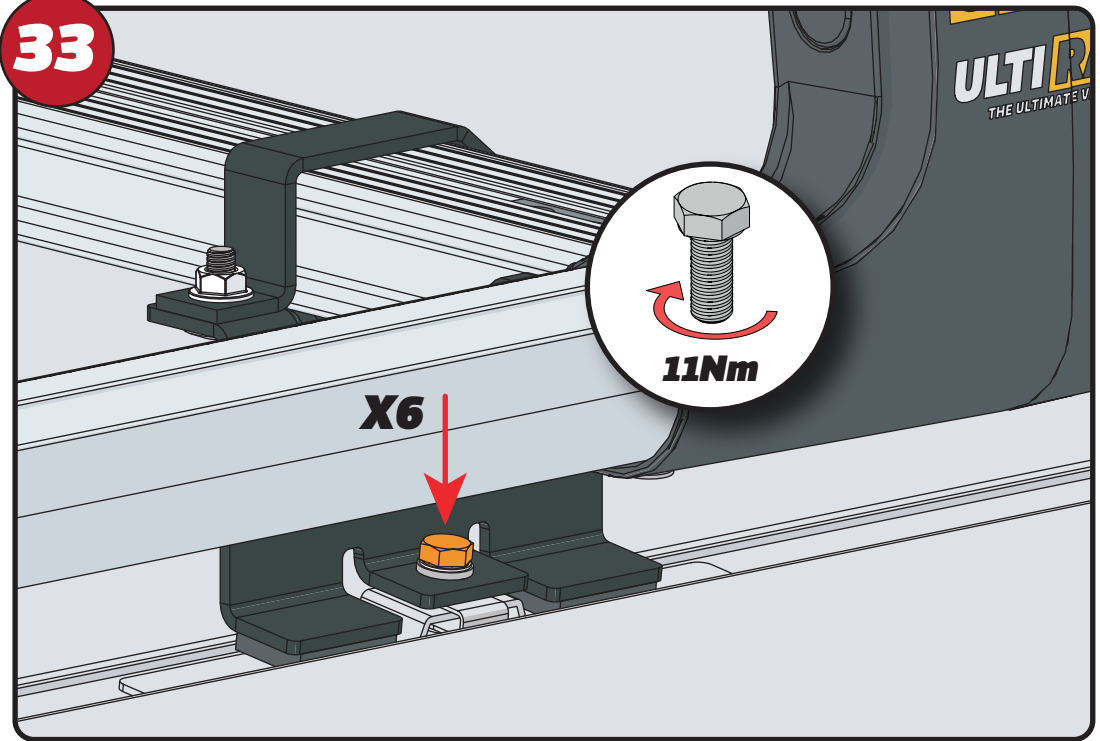
31



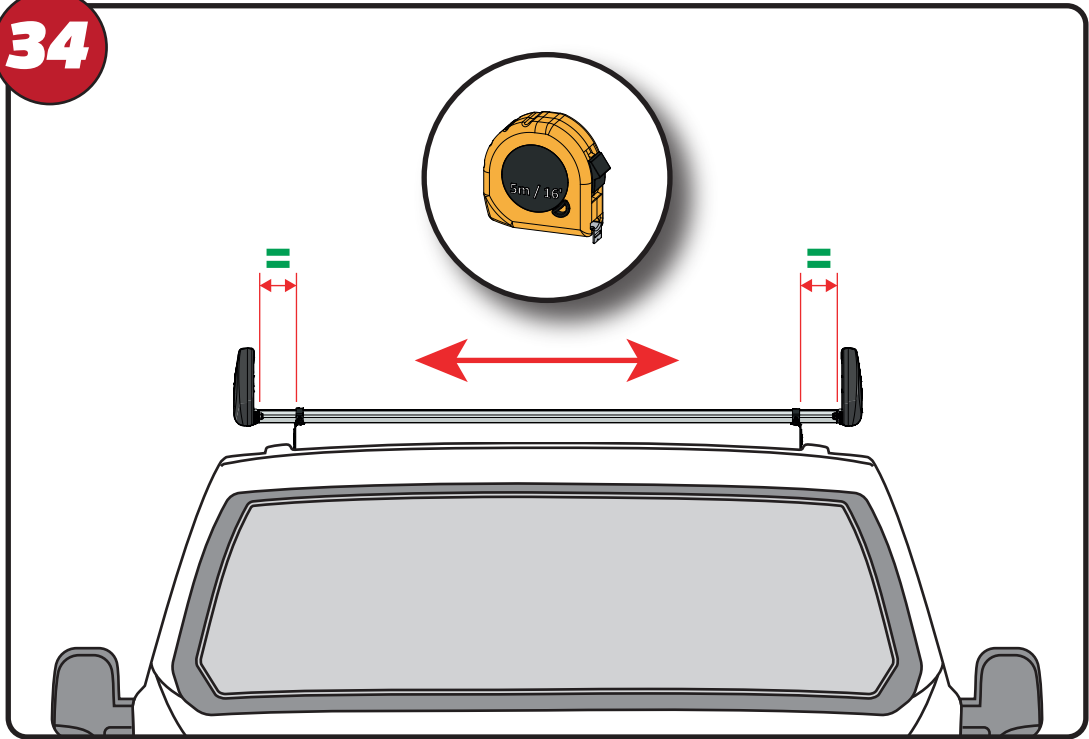
32



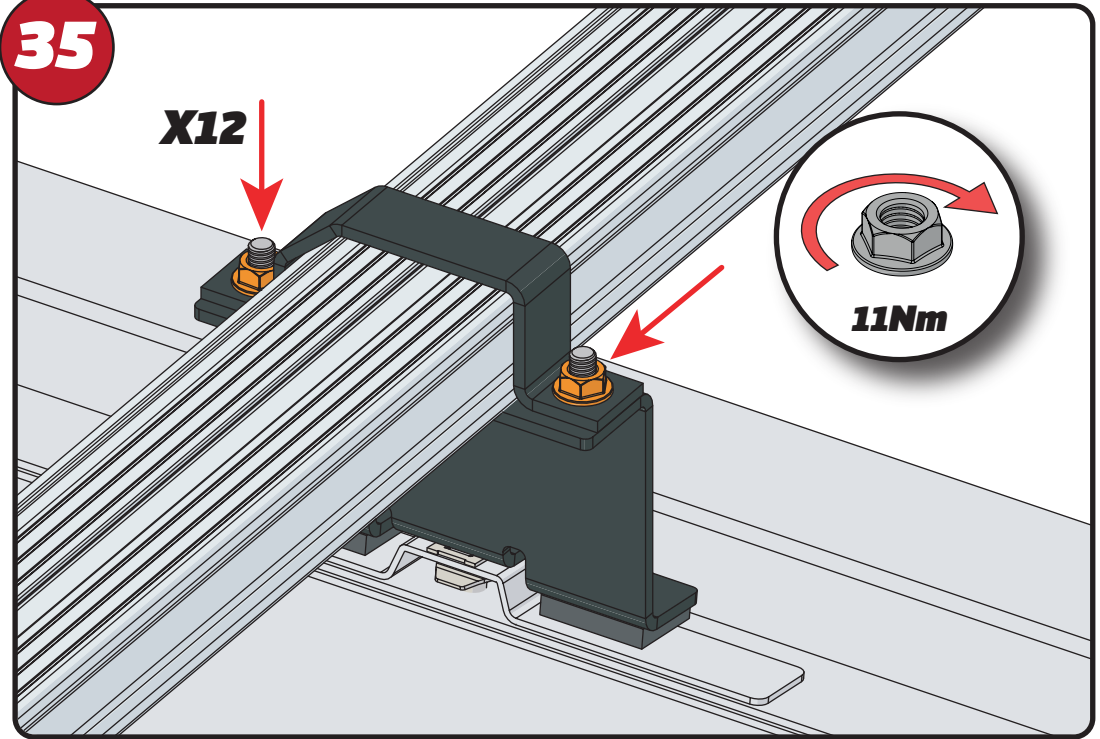
33



34



35

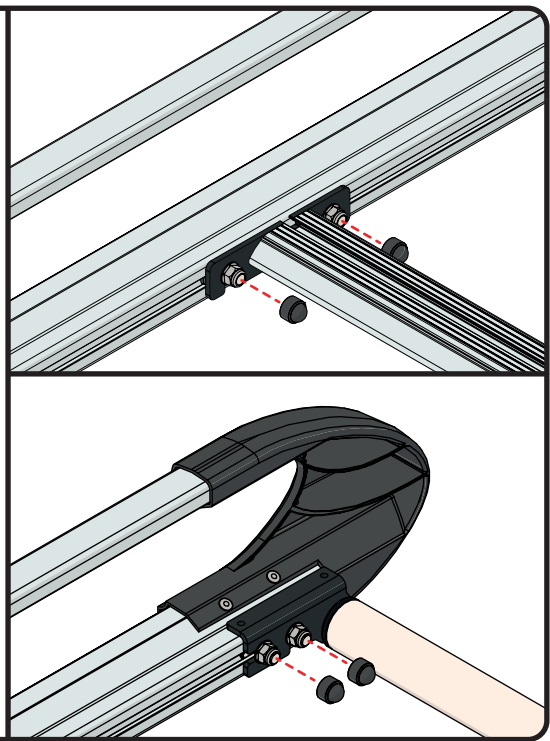


36



FX4241

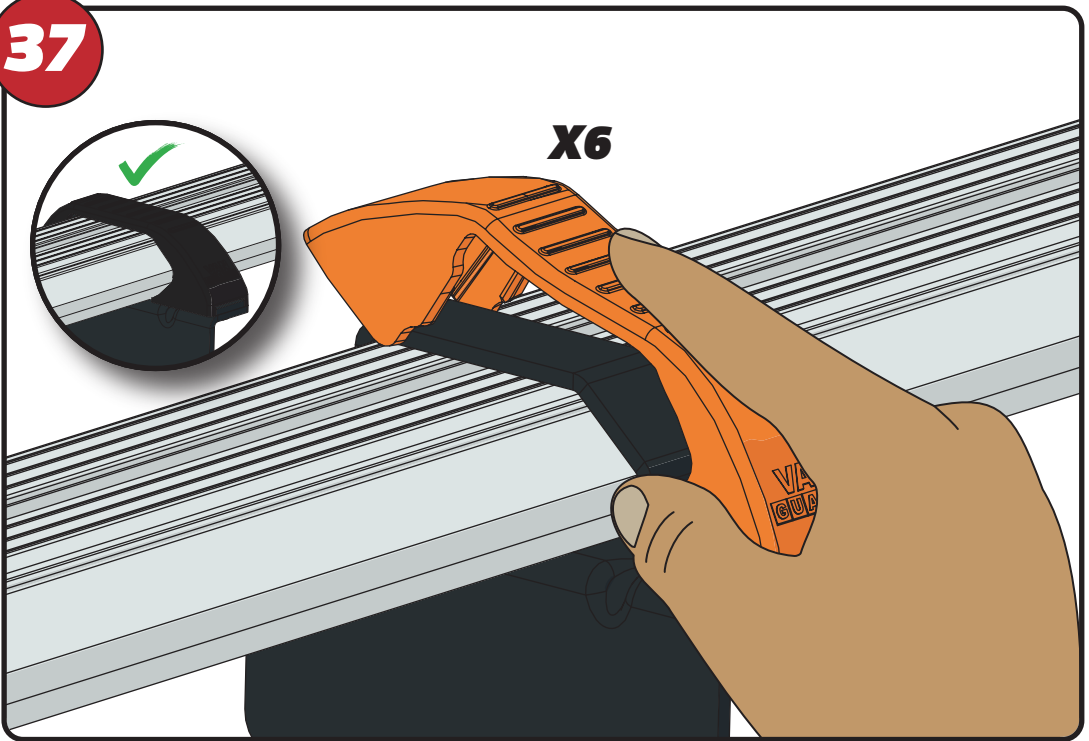
X24



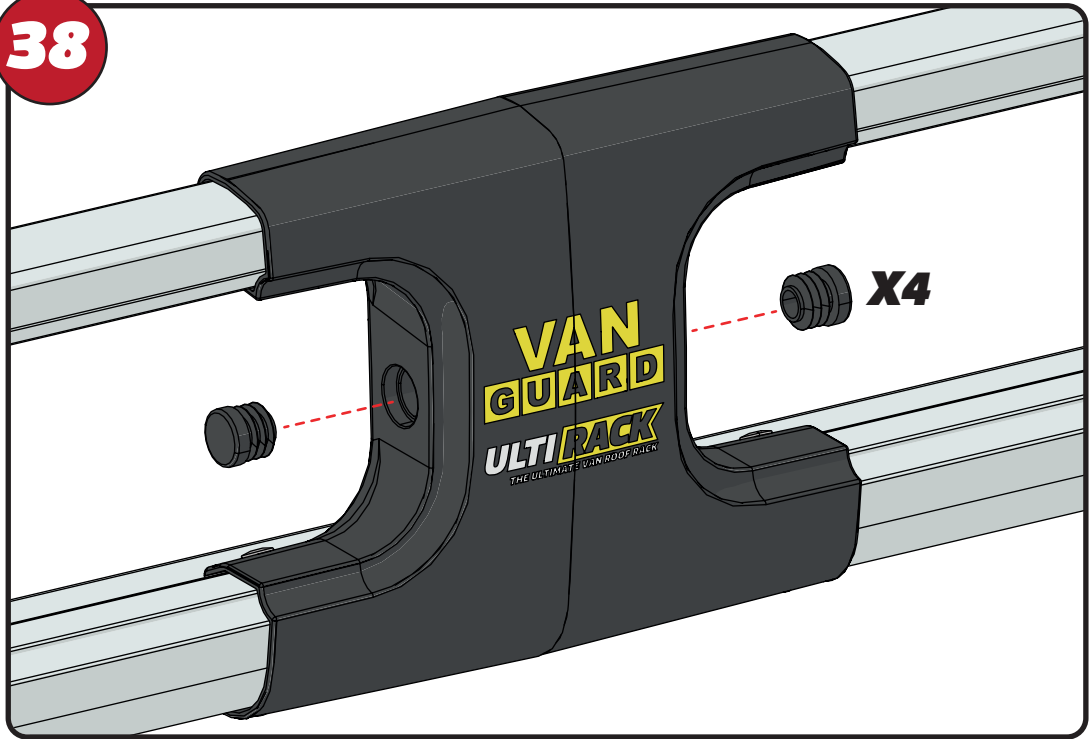
37



X6



38



VAN GUARD  
ULTIRACK  
THE ULTIMATE VAN ROOF RACK

X4

39

